

## AddStoris

### Tissue box

Surfaces: **Brushed Bronze** Article Number: **41774140**



#### Description

##### product features

- wall-mounted
- adhesive attachment, screw fastening
- material: plastic
- suitable for customary tissue boxes
- easy removal of the lid for easy filling
- with mounting material
- concealed fastening
- drilling distance 200 mm
- diameter drill hole: 6 mm
- horizontal or vertical installation

#### Design awards

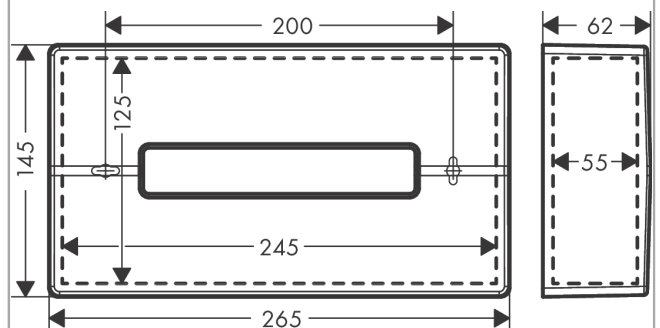


reddot winner 2021

#### Product image



#### Scale drawing



## AddStoris

### Tissue box

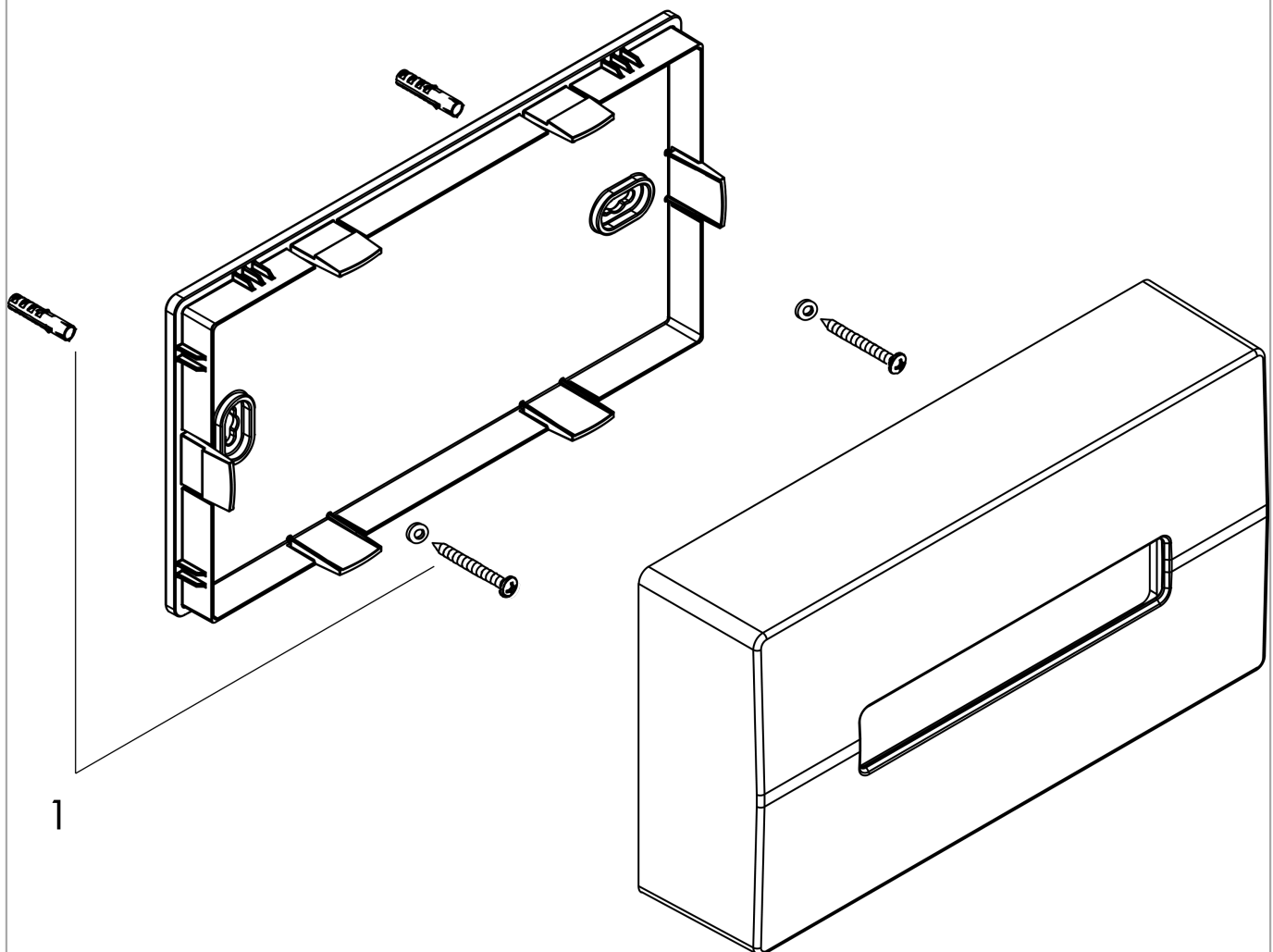
Surfaces: **Brushed Bronze**

Article Number: **41774140**



## Exploded Drawing

Year of production: >04/21



**AddStoris**  
**Tissue box**  
 Surfaces: **Brushed Bronze**    Article Number: **41774140**



### Spare part list

Year of production: >04/21

Pos.	Description	Article Number	Price	PU
1	mounting set	40915000	-	1